

SmartGuard®

Installation Guide: Safety



Our SmartGuard® system is designed to provide edge protection around the working platform of steel trestles in accordance with 'The Work at Height Regulations 2005'.

The installation process is made simple by the modular components; however care should be taken to follow the safety guidelines.

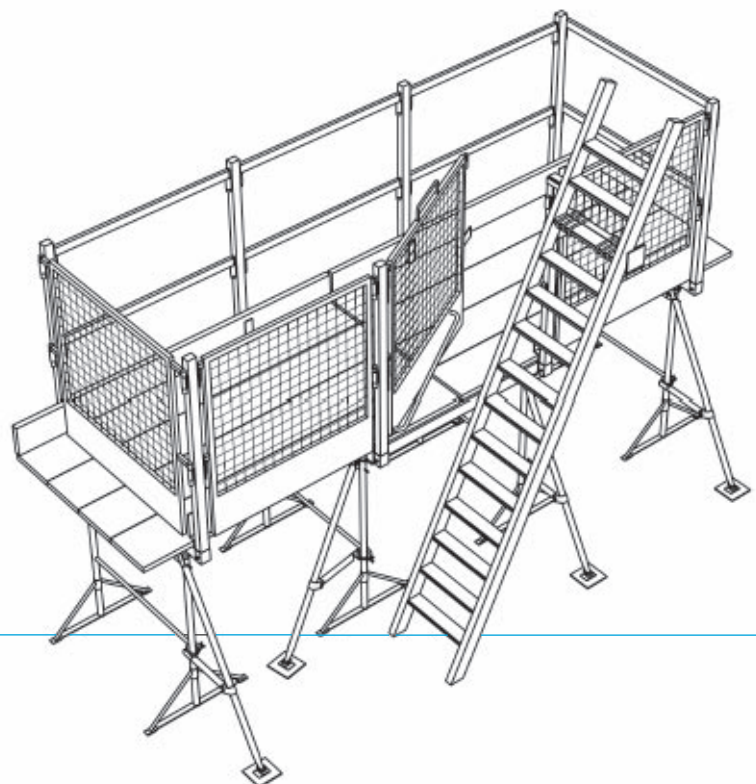
Safety Compliance

The new Work at Height Regulations applies to all work at height where there is a risk of a fall, liable to cause personal injury. The SmartGuard® system has been designed in compliance with the regulations and has been fully tested in accordance with BS EN13374 (Class A) Temporary Edge Protection System.

- It is recommended that a minimum of 2 persons carry out the erecting and dismantling of the system.
- Always visually inspect the component parts prior to erecting the system. Do not attempt to use any defective parts. If any parts are damaged obtain replacements from the supplier.
- The component parts of this SmartGuard® system have been designed and tested for use with Trestles supplied by DSL Ltd.

Safety Notes

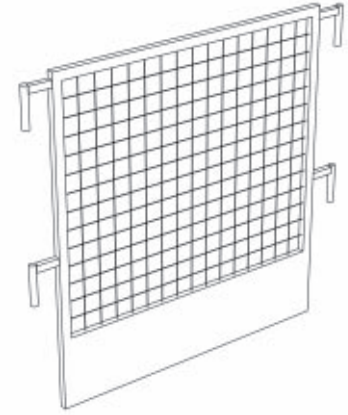
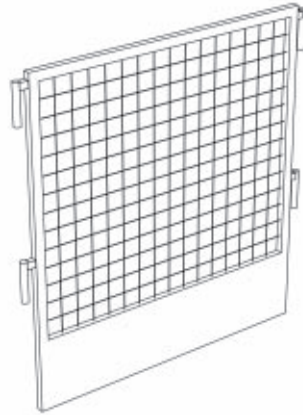
- It is recommended that the user wear suitable gloves, head protection and safety footwear during the erection and dismantling process.
- This system should only be constructed on a firm, level base.



SmartGuard 
Raising Standards for Working Safely at Height.

SmartGuard®

Installation Guide: Components



SmartGuard® Post

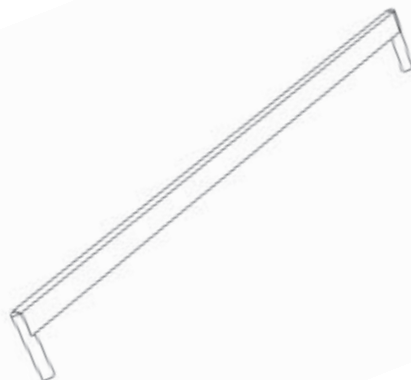
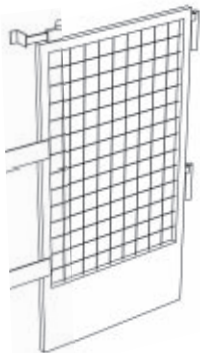
Code: 066080
Dimensions: 1000mm Long
Weight: 3.4kg

SmartGuard® Panel

Code: 066081
Dimensions: 980mm x 980mm
Weight: 8.4kg

SmartGuard® End Panel [Red]

Code: 066082
Dimensions: 1000mm x 1000mm
Weight: 8.5kg



SmartGuard® Half Panel

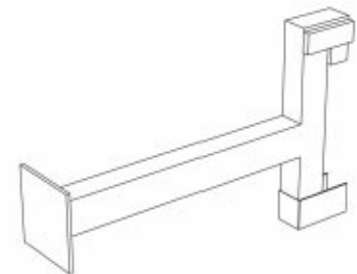
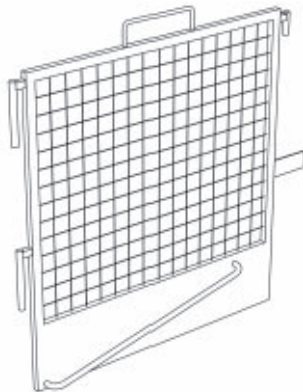
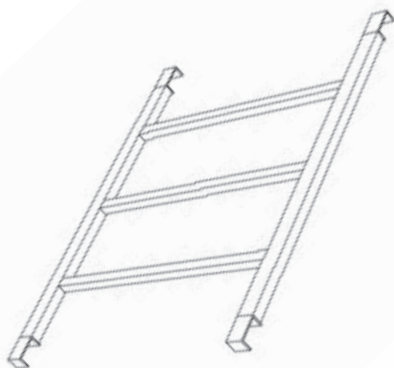
Code: 066070
Dimensions: 500mm x 980mm
Weight: 5.3kg

SmartGuard® Handrail End Handrail [Red]

Code: 066083 066088
Dimensions: 980mm 1000mm
Weight: 1.2kg 1.3kg

SmartGuard® Stabiliser

Code: 066084
Dimensions: 500mm
Weight: 3.9kg



SmartGuard® Bridging Deck

Code: 066085
Dimensions: 980mm x 980mm
Weight: 6.4kg

SmartGuard® Access Gate

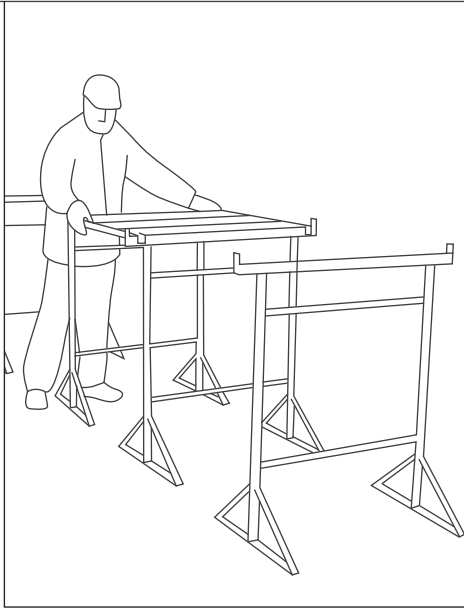
Code: 066086
Dimensions: 980mm x 980mm
Weight: 9.7kg

SmartGuard® Ladder Access Bracket

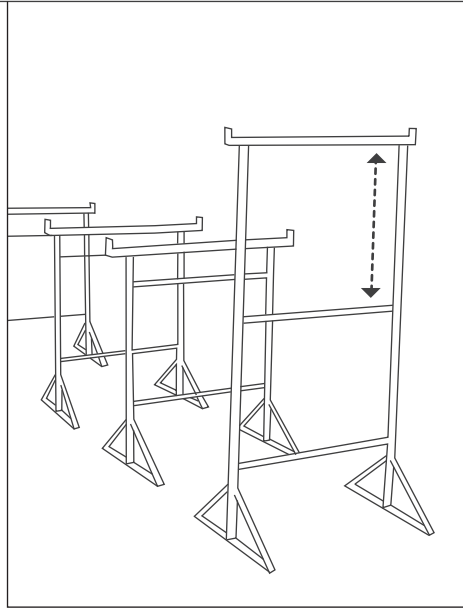
Code: 066087
Dimensions: 450mm x 300mm
Weight: 2.9kg

SmartGuard®

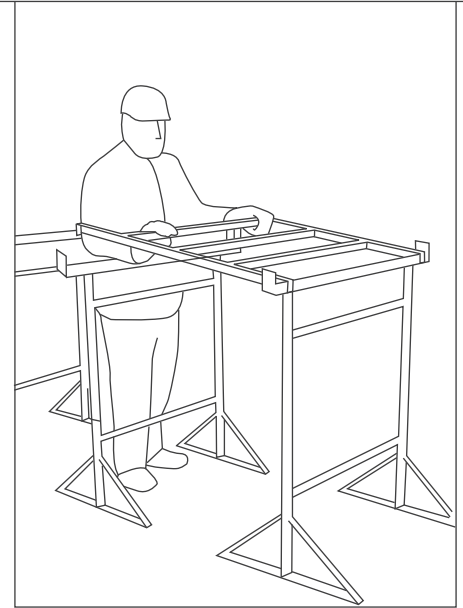
Installation Guide: Step by Step



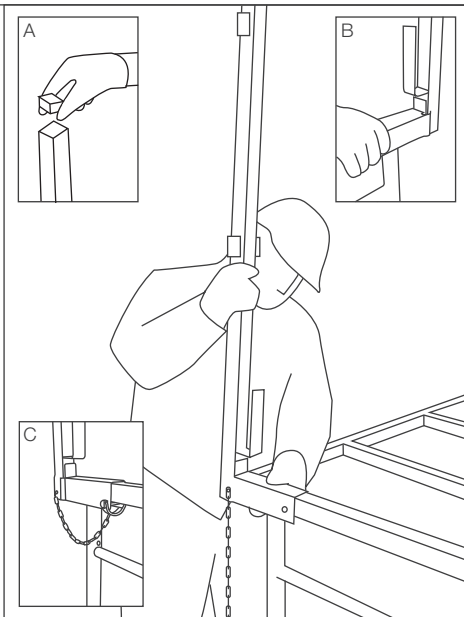
1 Place builders trestles spaced 1m apart along the length of the workplace. The SmartGuard® Bridging Deck may be used as a measure to ensure the trestles are placed at exactly the correct spacing.



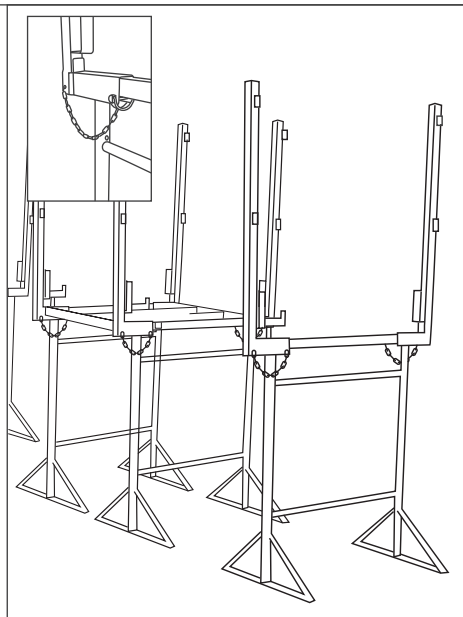
2 Adjust the builders trestle platform height by extending or lowering the trestle inner, then lock in position with locating pin.



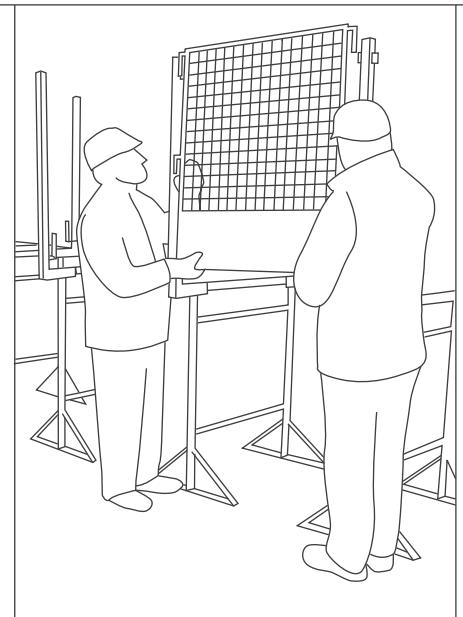
3 Should the working platform require more than one run of boards, a SmartGuard® Bridging Deck **MUST** be installed at the point where the boards meet to avoid overlapping that would cause a tripping hazard.



4 Identify a suitable location for the SmartGuard® Access Gate and Ladder Access Bracket. In order to minimise components required, the access gate should be installed in the same location as a bridging deck. Remove the plastic cap from a post (Inset A) then place the post on the trestle top located to the right hand side of the access bay, ensuring the trestle board stop is protruding through the gap in the post (Inset B) and locked in position with the retaining pin and spring clip (Inset C).



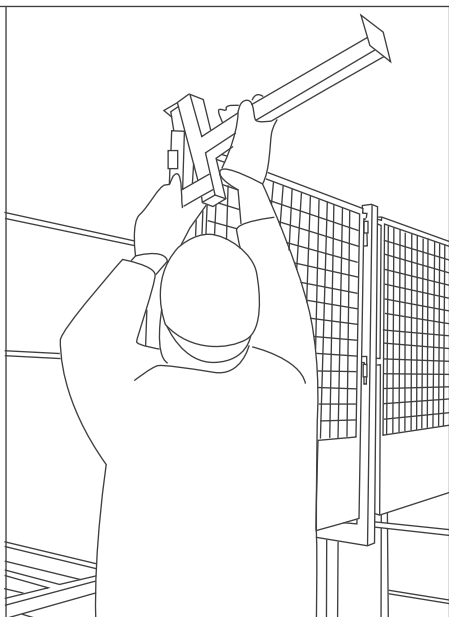
5 Fit all remaining SmartGuard® Posts around the outside edge of the working platform ensuring the posts are correctly seated and locked in position with the retaining pin and spring clip [Inset].



6 Install SmartGuard® Panels between posts by inserting the locating pins on the panel into the eyes on the posts. The top pins should be located first followed by the lower pins. The ladder access bay should be left clear as a gate will be installed later.

SmartGuard®

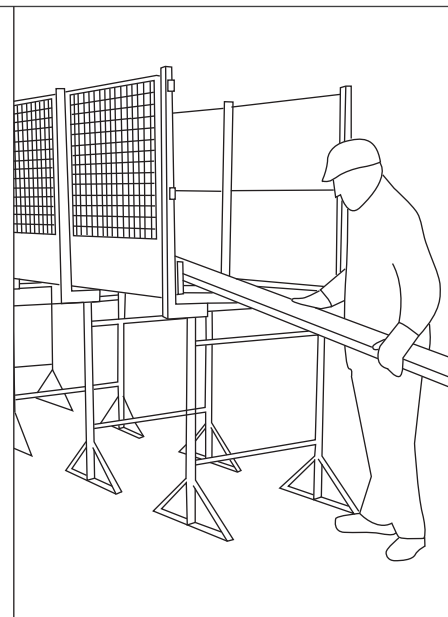
Installation Guide: Step by Step



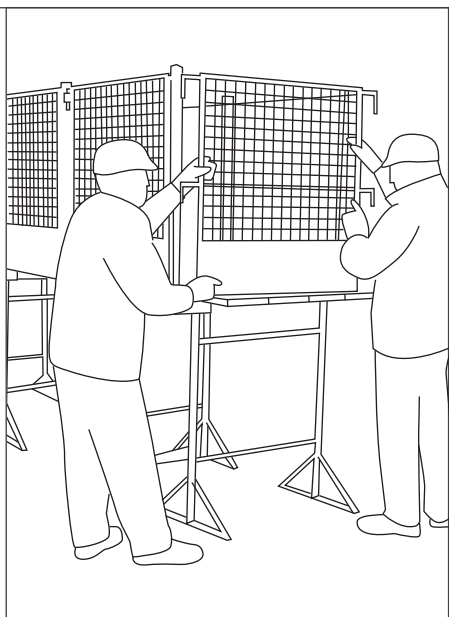
7 Install the SmartGuard® Ladder Access Bracket by inserting the locating spigot of the bracket down the top of the post (where the plastic cap was removed earlier), ensuring the ladder rest is positioned away from the working platform. (NB: if the trestle is fully extended a suitable ladder must be used to gain access to fit the bracket.)



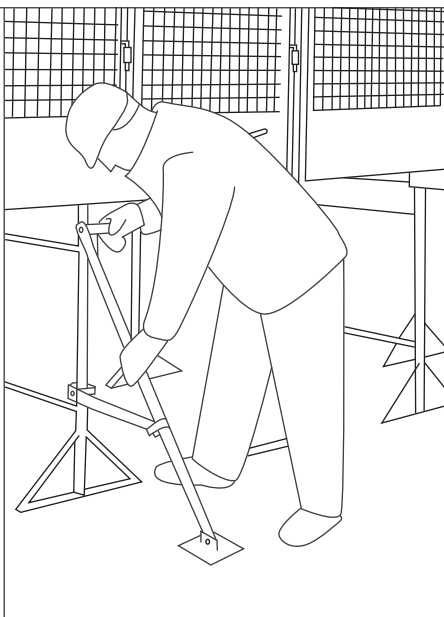
8 The Access Gate should now be placed in the proposed access bay ensuring the gate opens to the right and inwards towards the working platform. Fasten the locking thumb screw on to the lower elongated hinge pin to prevent accidental removal of the access gate (Inset).
(NB: A Bridging Deck MUST always be used on the same bay as an Access Gate.)



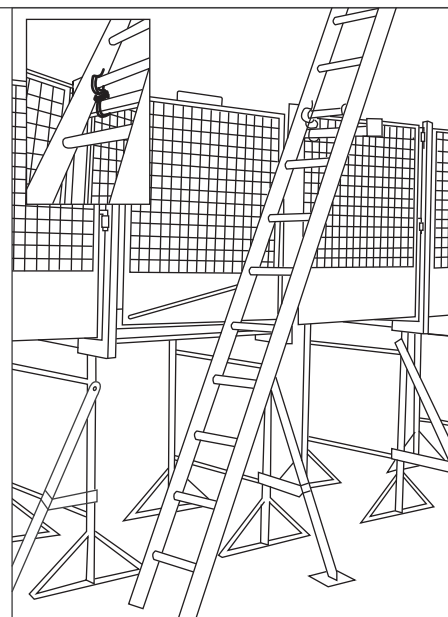
9 Place the required number of boards onto the trestles to create the working platform.



10 Install SmartGuard® End Panels between posts by inserting the locating pins on the panel into the eyes on the posts. The top pins should be located first followed by the lower pins.



11 Attach stabilisers to the outside leg of each of the builders trestles ensuring that both fittings are placed above the horizontal tubular supports, then secure with wing nuts.



12 Place a suitable ladder against the SmartGuard® Ladder Access Bracket ensuring the ladder is securely fixed to the bracket (Inset). Reposition the stabiliser at the foot of the ladder to avoid a potential tripping hazard. This completes the installation process.

Please find below two tables of contents that we have compiled to enable you to clearly select the required number of components to safely use the SmartGuard® System.

Risk assessment prior to the erecting of this product will determine if inside handrail protection is required. SmartGuard® Handrails or Panels can be used on the inside face of the working platform. When using handrails a standard scaffold board can be installed on its edge into the retaining plates at the foot of the post to act as a toeboard if required.

Please note: When compiling this table we have assumed that standard 3.9m (13ft) scaffold boards are being used at all times. Various other lengths of scaffolding boards can of course be used, but care should be taken to increase the required number of SmartGuard® Bridging Decks accordingly.

Component Calculator [without inside handrails]

Working Platform Length

Code	Product	3m	7m	11m	15m	19m
N/A	Trestles	4	8	12	16	20
N/A	3.9m (13ft) Scaffolding Boards	4	8	12	16	20
066080	SmartGuard® Post	6	10	14	18	22
066081	SmartGuard® Panel	2	6	10	14	18
066082	SmartGuard® End Panel	2	2	2	2	2
066083	SmartGuard® Handrail	-	-	-	-	-
066088	SmartGuard® End Handrail	-	-	-	-	-
066084	SmartGuard® Stabilisers	4	8	12	16	20
066085	SmartGuard® Bridging Deck	1*	1	2	3	4
066086	SmartGuard® Access Gate	1	1	1	1	1
066087	SmartGuard® Ladder Access Bracket	1	1	1	1	1

* Please note the **bridging deck MUST always be installed** in the same bay as an access gate – even in instances where there is only one run of boards. Where a location specific access point is required, then **an additional bridging deck MUST be used**.

Component Calculator [with inside handrails]

Working Platform Length

Code	Product	3m	7m	11m	15m	19m
N/A	Trestles	4	8	12	16	20
N/A	3.9m (13ft) Scaffolding Boards	4	8	12	16	20
066080	SmartGuard® Post	8	16	24	32	44
066081	SmartGuard® Panel	2	6	10	14	18
066082	SmartGuard® End Panel	2	2	2	2	2
066083	SmartGuard® Handrail	6	14	22	30	38
066088	SmartGuard® End Handrail	-	-	-	-	-
066084	SmartGuard® Stabilisers	4	8	12	16	20
066085	SmartGuard® Bridging Deck	1*	1	2	3	4
066086	SmartGuard® Access Gate	1	1	1	1	1
066087	SmartGuard® Ladder Access Bracket	1	1	1	1	1

* Please note the **bridging deck MUST always be installed** in the same bay as an access gate – even in instances where there is only one run of boards. Where a location specific access point is required, then **an additional bridging deck MUST be used**.